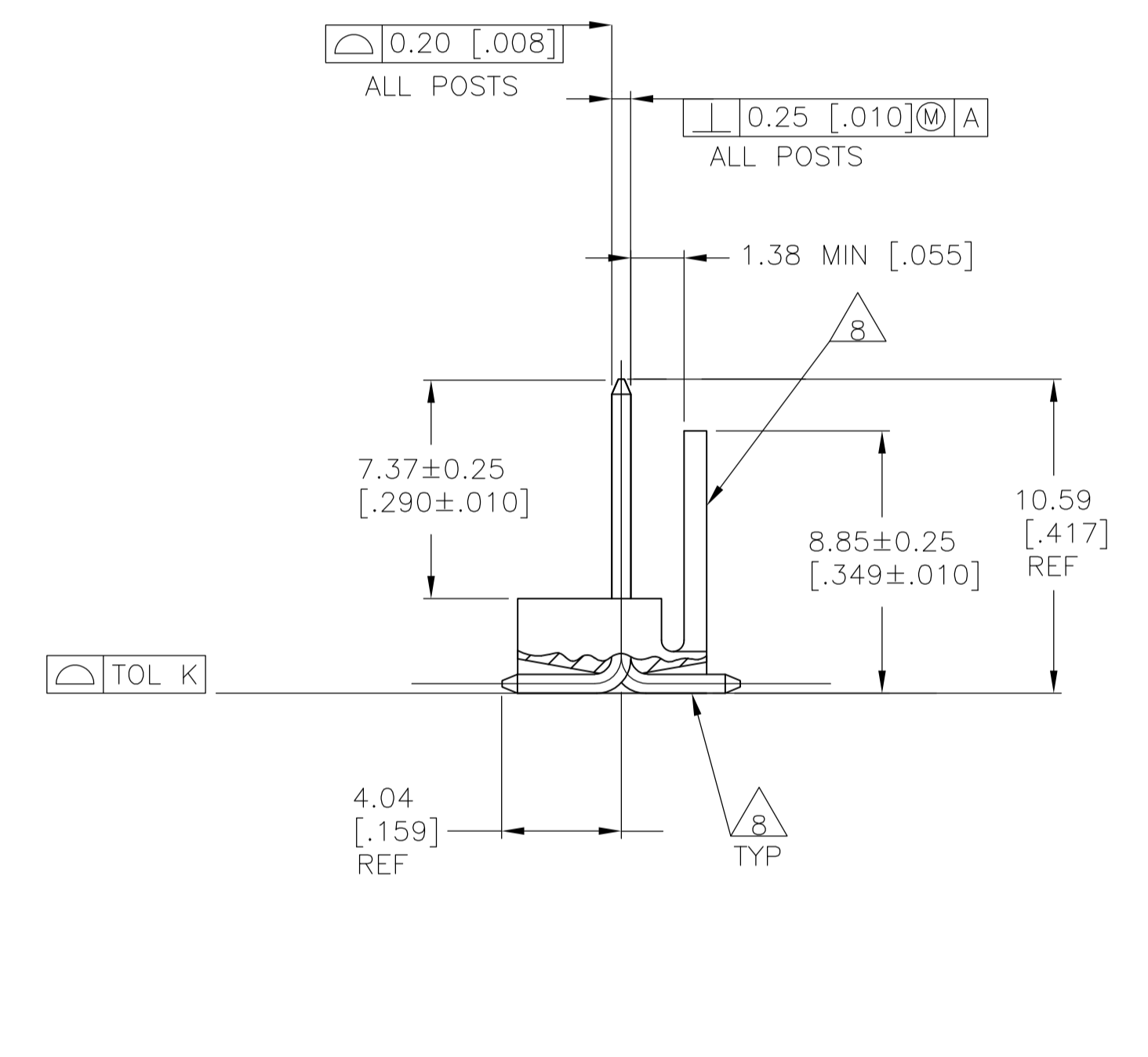
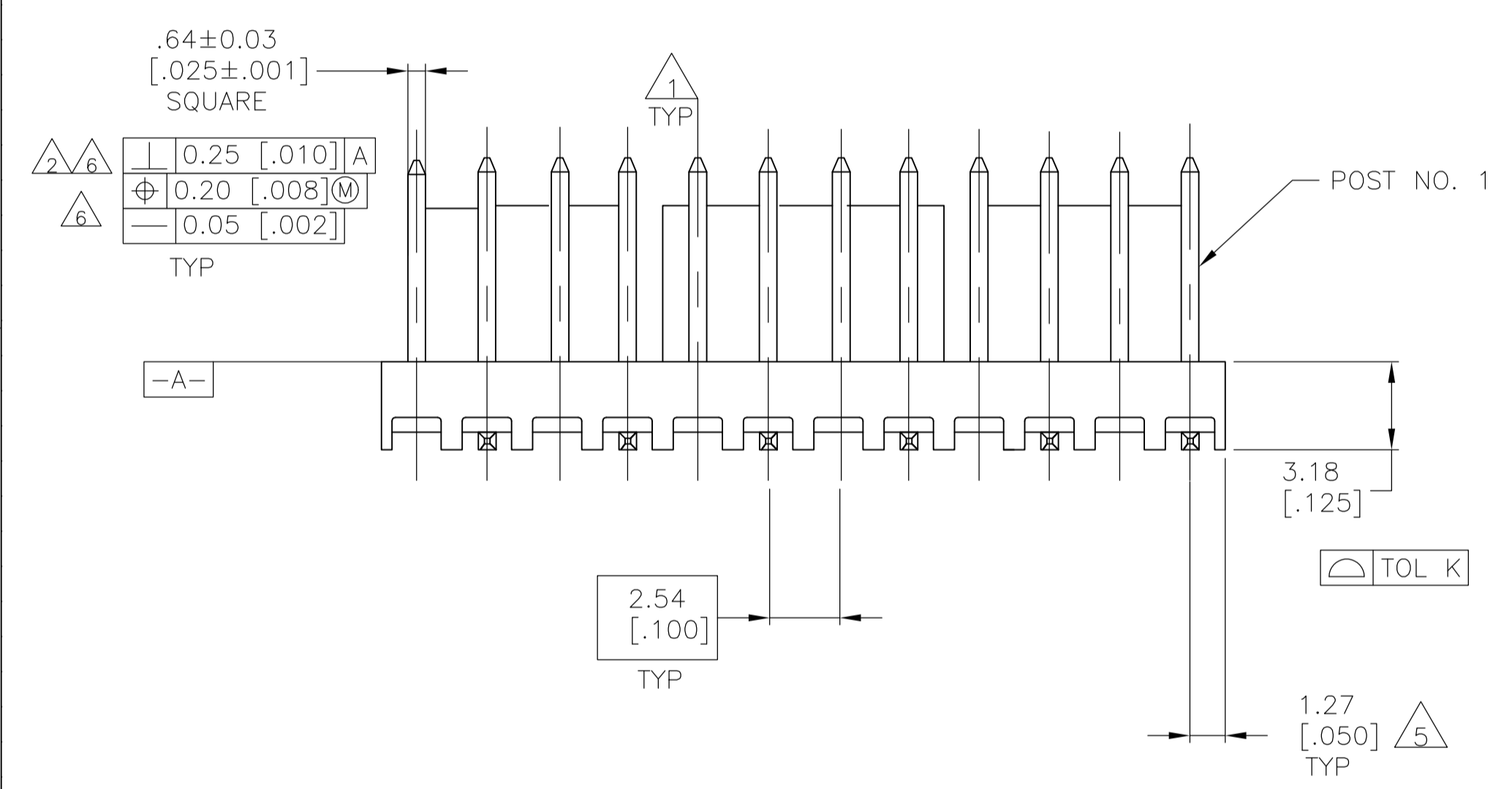
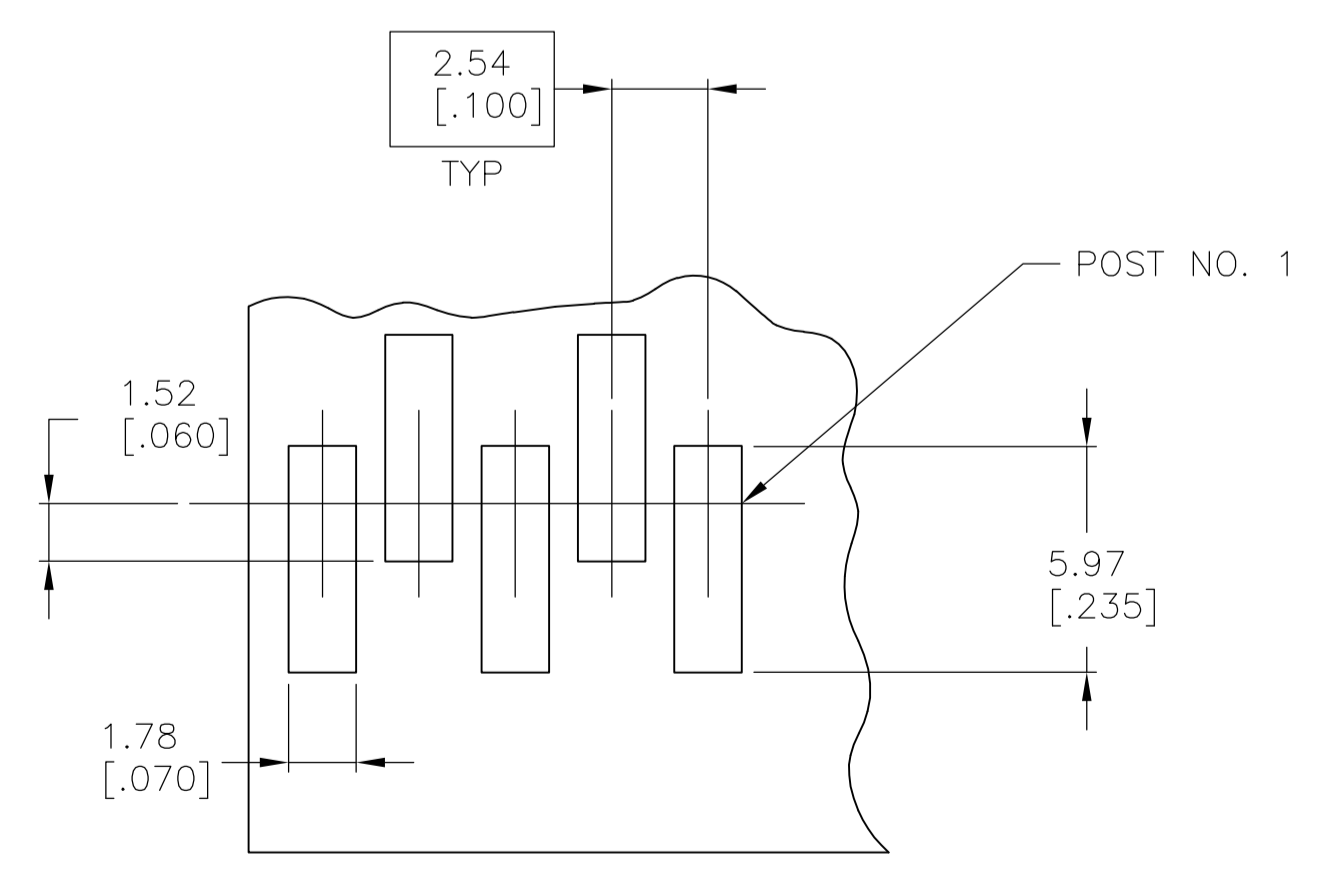
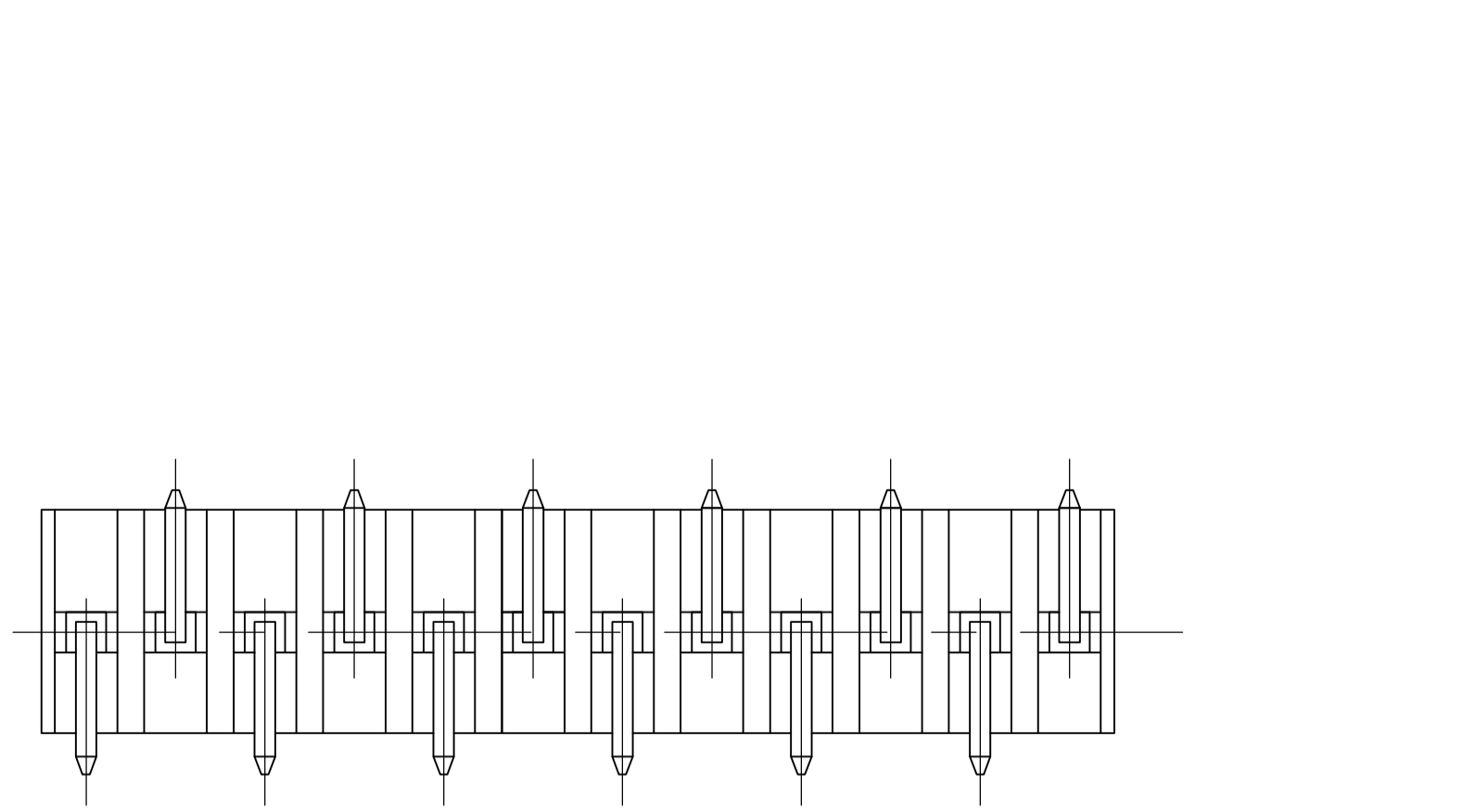


- 1 POST TO WITHSTAND 13 NEWTONS (3 LBS) MIN. AXIAL FORCE IN DIRECTION SHOWN WITHOUT DISLODGING.
- 2 MEASURED AT SURFACE  $\overline{-A-}$
- 3 PARTS COMPLY WITH AMP SOLDERABILITY SPEC. NO. 109-11-2.
- 4 HOUSING: NYLON 4/6, HIGH TEMP, BLACK  
 POST -2 THRU -18: COPPER ALLOY, TIN-LEAD (93/7) PLATING  
 POST -32 THRU -48: COPPER ALLOY TIN PLATE
- 5 COORDINATE DIMENSION APPLIES FROM CENTER OF ACTUAL FEATURE.
- 6 POSTS TO BE MEASURED WHEN STRIP IS HELD FLAT.
- 7 DIMENSIONS IN BRACKETS ARE IN INCHES.
- 8 AMP LOGO AND UL AND CSA TRADEMARKS TO APPEAR ON THIS SURFACE.



0.15	.006	10.16	.400	12.70	.500	30.48	1.200	12	4-647106-2
0.15	.006	-	-	10.16	.400	27.94	1.100	11	4-647106-1
0.15	.006	-	-	7.62	.300	25.40	1.000	10	4-647106-0
0.15	.006	-	-	5.08	.200	22.86	.900	9	3-647106-9
0.15	.006	-	-	2.54	.100	20.32	.800	8	3-647106-8
0.15	.006	-	-	-	-	17.78	.700	7	3-647106-7
0.15	.006	-	-	-	-	15.24	.600	6	3-647106-6
0.15	.006	-	-	-	-	12.70	.500	5	3-647106-5
0.15	.006	-	-	-	-	10.16	.400	4	3-647106-4
0.15	.006	-	-	-	-	7.62	.300	3	3-647106-3
0.15	.006	-	-	-	-	5.08	.200	2	3-647106-2



RECOMMENDED P.C BOARD LAYOUT FOR USE WITH 0.25 [0.010] THICK STENCIL

0.15	.006	10.16	.400	12.70	.500	30.48	1.200	12	1-647106-2
0.15	.006	-	-	10.16	.400	27.94	1.100	11	1-647106-1
0.15	.006	-	-	7.62	.300	25.40	1.000	10	1-647106-0
0.15	.006	-	-	5.08	.200	22.86	.900	9	647106-9
0.15	.006	-	-	2.54	.100	20.32	.800	8	647106-8
0.15	.006	-	-	-	-	17.78	.700	7	647106-7
0.15	.006	-	-	-	-	15.24	.600	6	647106-6
0.15	.006	-	-	-	-	12.70	.500	5	647106-5
0.15	.006	-	-	-	-	10.16	.400	4	647106-4
0.15	.006	-	-	-	-	7.62	.300	3	647106-3
0.15	.006	-	-	-	-	5.08	.200	2	647106-2
MM	[IN]	MM	[IN]	MM	[IN]	MM	[IN]	NO OF POSITIONS	PART NUMBER
TOL K		W		G		L			

METRIC

THIS DRAWING IS A CONTROLLED DOCUMENT. DIN S. HOOVER 25-FEB-2003  
 CJK: D. ROSSI 25-FEB-2003  
 APVD: D. ROSSI 25-FEB-2003

TOLERANCES UNLESS OTHERWISE SPECIFIED:  
 0 PLC ±  
 1 PLC ±  
 2 PLC ±  
 3 PLC ± 0.13 [0.005]  
 4 PLC ±  
 ANGLES ± 0°30'

NAME: MTA-100 HEADER ASSEMBLY, SURFACE MOUNT, POLARIZED, STRAIGHT .025 SQUARE POST, TIN OR TIN-LEAD PLATED  
 APPLICATION SPEC: PRODUCT SPEC  
 SIZE: A1  
 CASE CODE: 00779  
 DRAWING NO: 647106  
 WEIGHT: CUSTOMER DRAWING  
 SCALE: 5:1  
 SHEET: 1 of 1  
 REV: L1

Tyco Electronics Corporation  
 Harrisburg, Pa 17105-3608